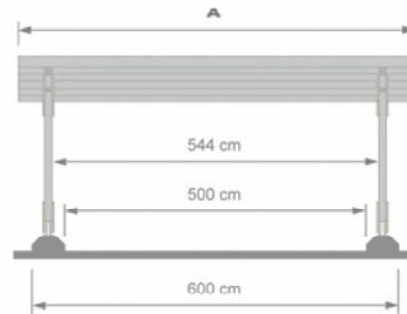
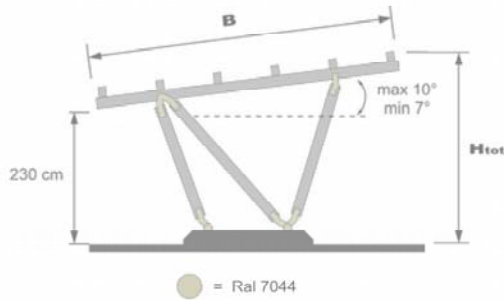




LIGHT SOLAR CARPORT



WITH CONCRETE BALLASTS
WIND LOAD 100 KM/H



The concrete ballasts do not need to be fastened to the ground.

STRUCTURE (ONLY FRAME WITHOUT PV PANELS)

EXTRA PRICE FOR
OUT OF STANDARD
FRAME'S POWDER
COATING ***

PARKING LOTS (250 cm*)	NR. OF PANELS **	PANEL LAYOUT	PANELS: COLUMN X ROW	A (cm)	B (cm)	NR. OF ROOF BEAMS	H tot (cm)	BALLASTS (500 Kg each)	€	+ €
2	18	Vertical	6 x 3	600	510	7	min = 308 max = 332	2	6.050	425
2	20	Horizontal	4 x 5	670	515	6	min = 313 max = 339	2	5.880	415

*The reduced height concrete ballast allows a comfortable opening of the car door as each parking space is about 270 cm.

** The prices have been calculated based on the following sizes of PV panels: 1660X990 mm.

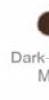
Prices are ex. VAT

FRAME'S COLOURS



STANDARD

COLOURS MATT-ROUGH FINISH

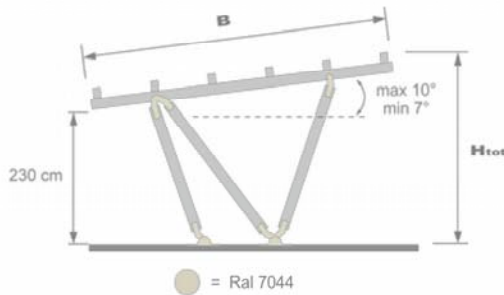


*** FURTHER RAL COLOURS WITH SMOOTH GLOSSY FINISH OR SMOOTH MATT FINISH ARE AVAILABLE WITH EXTRA PRICE, PLEASE REFER TO PRICE LIST.

SOLAR CARPORT



WITH PLATES
WIND LOAD 100 KM/H



● = Ral 7044

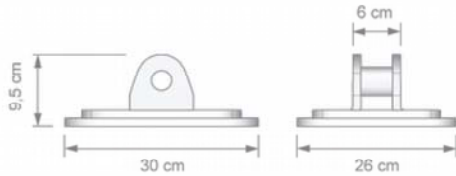
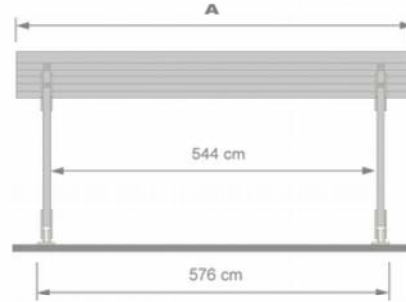


Plate for fixing into concrete surfaces or plinths.
Anchoring to the ground to be defined based on the installation site.
The hereinafter prices do not include the anchoring system.

STRUCTURE
(ONLY FRAME WITHOUT PV PANELS)

EXTRA PRICE FOR
OUT OF STANDARD
FRAME'S POWDER
COATING ***

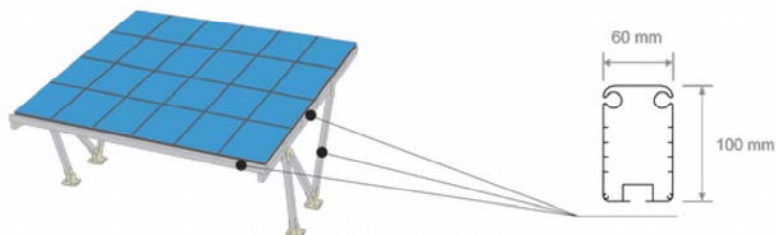
PARKING LOTS (270 cm)	NR. OF PANELS **	PANEL LAYOUT	PANELS: COLUMN X ROW	A (cm)	B (cm)	NR. OF ROOF BEAMS	H _{tot} (cm)	PLATES	€	+ €
2	18	Vertical	6 x 3	600	510	7	min = 308 max = 332	4	4.890	345
2	20	Horizontal	4 x 5	670	515	6	min = 313 max = 339	4	4.700	330

** The prices have been calculated based on the following sizes of PV panels: 1660X990 mm.

Prices are ex. VAT

*** Please refer to the frame's colours shown on page 112

PROFILES' CROSS-SECTIONS



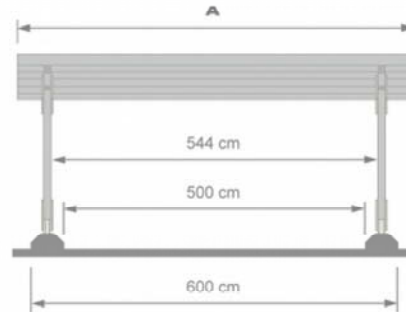
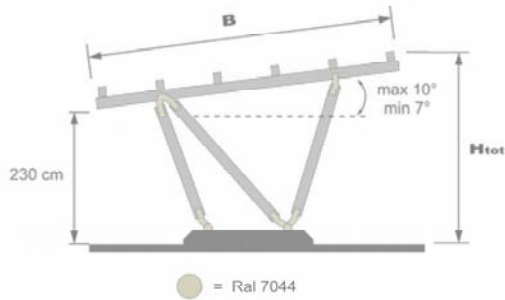
UPRIGHT,
BEAM AND
ROOF BEAM



LIGHT SOLAR CARPORT



WITH CONCRETE BALLASTS
WIND LOAD 160 KM/H



The concrete ballast must be fastened to the ground. Anchoring to the ground to be defined based on the installation site. The hereinafter prices do not include the anchoring system.

STRUCTURE (ONLY FRAME WITHOUT PV PANELS)

EXTRA PRICE FOR
OUT OF STANDARD
FRAME'S POWDER
COATING ***

PARKING LOTS (250 cm*)	NR. OF PANELS**	PANEL LAYOUT	PANELS: COLUMN X ROW	A (cm)	B (cm)	NR. OF ROOF BEAMS	H _{tot} (cm)	BALLASTS (500 Kg each)	€	+ €
2	18	Vertical	6 x 3	600	510	7	min = 308 max = 332	2	6.710	470
2	20	Horizontal	4 x 5	670	515	6	min = 313 max = 339	2	6.490	455

*The reduced height concrete ballast allows a comfortable opening of the car door as each parking space is about 270 cm.

Prices are ex. VAT

**The prices have been calculated based on the following sizes of PV panels: 1660X990 mm.

FRAME'S COLOURS



STANDARD

COLOURS MATT-ROUGH FINISH

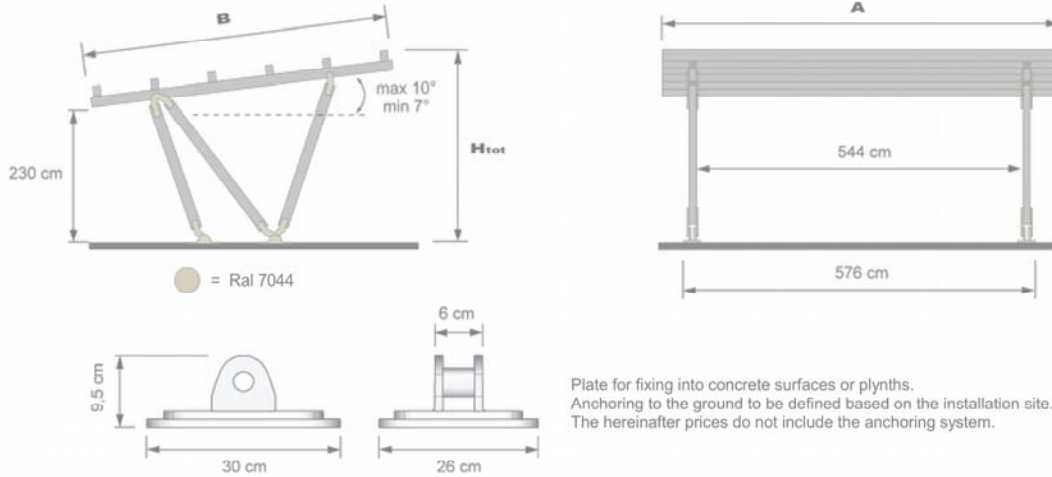


*** FURTHER RAL COLOURS WITH SMOOTH GLOSSY FINISH OR SMOOTH MATT FINISH ARE AVAILABLE WITH EXTRA PRICE, PLEASE REFER TO PRICE LIST.

SOLAR CARPORT



WITH PLATES
WIND LOAD 160 KM/H



STRUCTURE
(ONLY FRAME WITHOUT PV PANELS)

EXTRA PRICE FOR
OUT OF STANDARD
FRAME'S POWDER
COATING ***

PARKING LOTS (270 cm)	NR. OF PANELS **	PANEL LAYOUT	PANELS: COLUMN X ROW	A (cm)	B (cm)	NR. OF ROOF BEAMS	H _{tot} (cm)	PLATES	€	+ €
2	18	Vertical	6 x 3	600	510	7	min = 308 max = 332	4	5.550	390
2	20	Horizontal	4 x 5	670	515	6	min = 313 max = 339	4	5.310	375

** The prices have been calculated based on the following sizes of PV panels: 1660X990 mm.

*** Please refer to the frame's colours shown on page 114

Prices are ex. VAT

PROFILES' CROSS-SECTIONS

